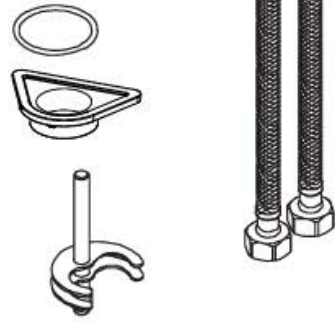
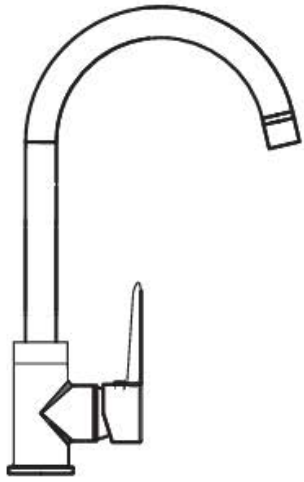
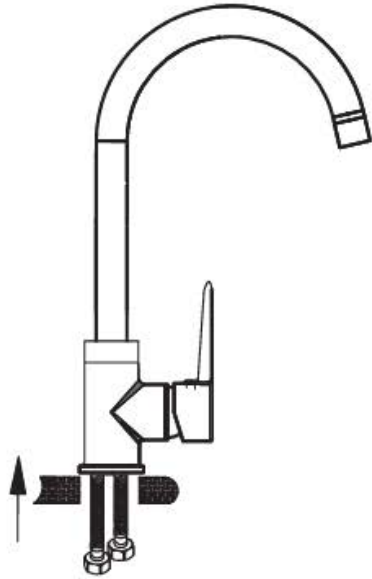


Installing instruction



Step 1. Check all spare parts ready

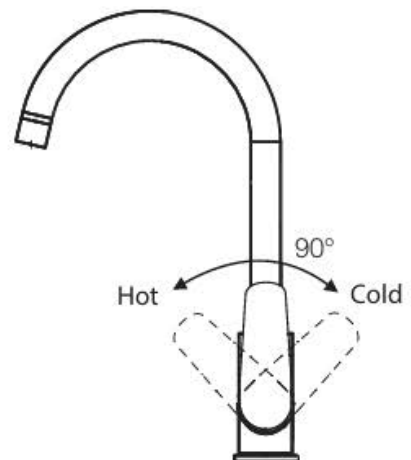
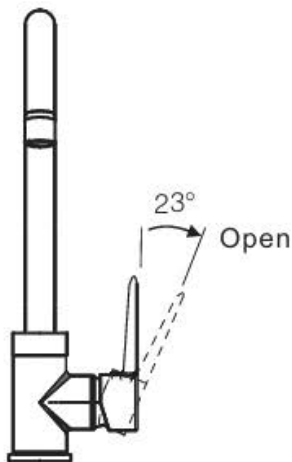


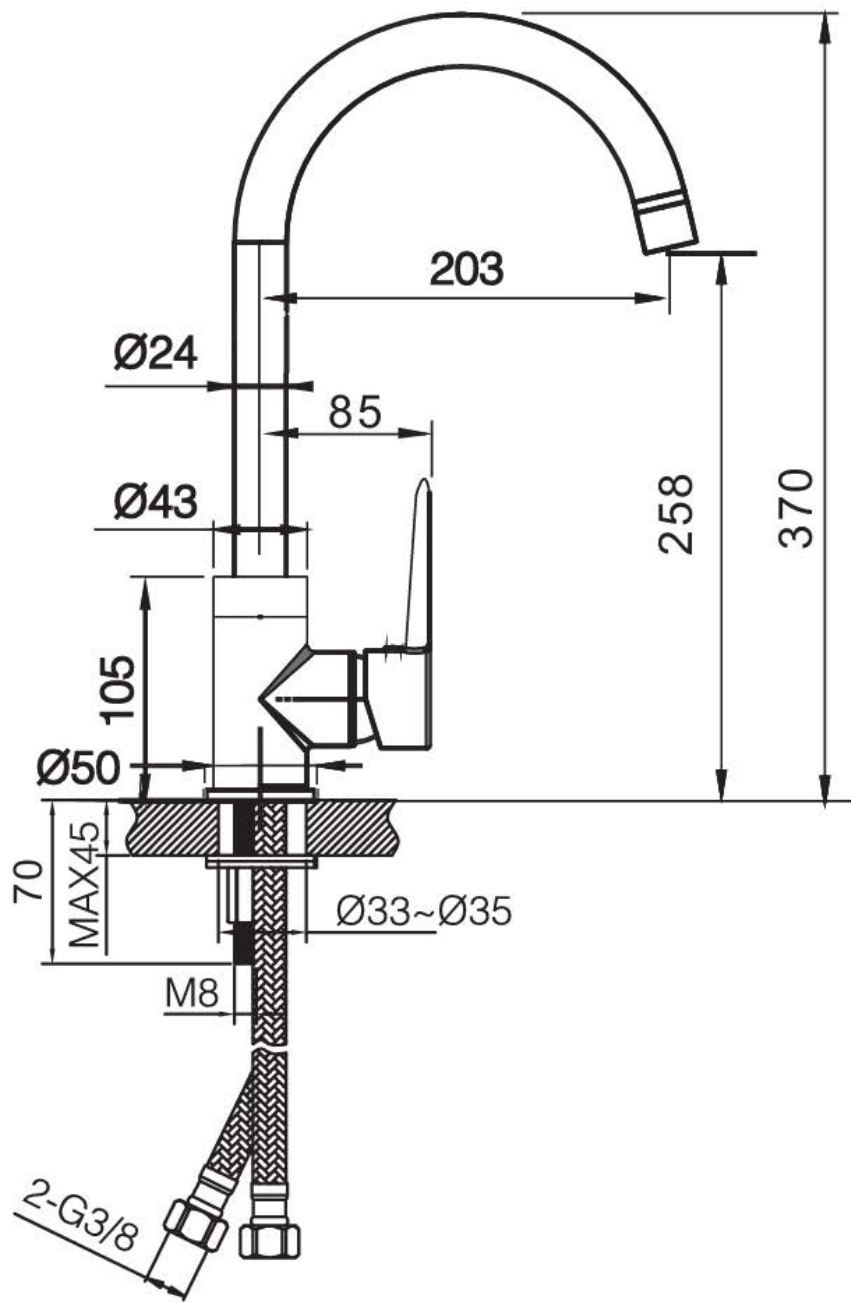
Step 2. Install inlet pipe to faucet body



Step 3. Install screw stick to faucet body

Useage function instruction





Product sizes (cm)	42*24.5*5.9
Weight (kg)	0.93
Guarantee	5 years
Max Preasure (bar)	5
Min Preasure (bar)	0.5
Optimum preasure (bar)	1-4 (Recommended 3)
Max. temperature	85°C
Min temperature	65°C

FLOW RATE

Detalles	
FLOW RATE REF	GCZ044
mixer water 0.1Mpa(L/MIN)	9.79
mixer water 0.3Mpa(L/MIN)	17
mixer water 0.5Mpa(L/MIN)	22
singer cold water 0.1Mpa(L/MIN)	8.27
singer cold water 0.3Mpa(L/MIN)	14.46
singer cold water 0.5Mpa(L/MIN)	18.81