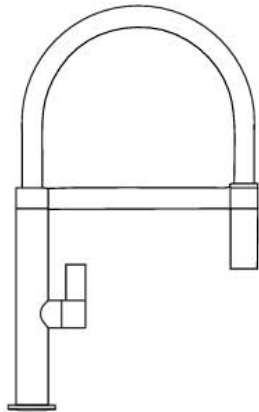
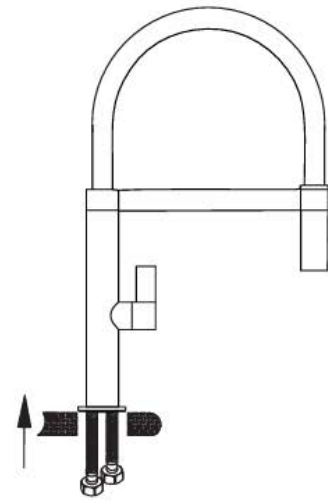
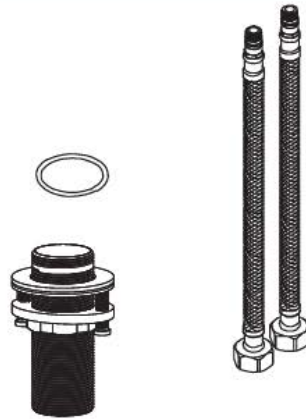


Installing instruction



Step 1. Check all spare parts ready

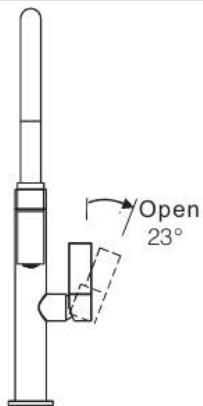


Step 2. Install inlet pipe to faucet body

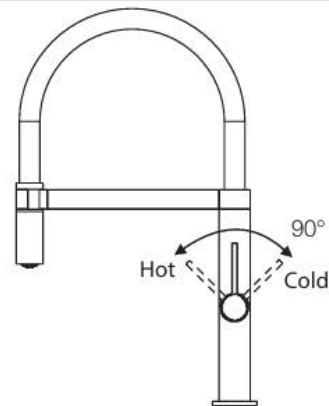


Step 3. Install screw stick to faucet body

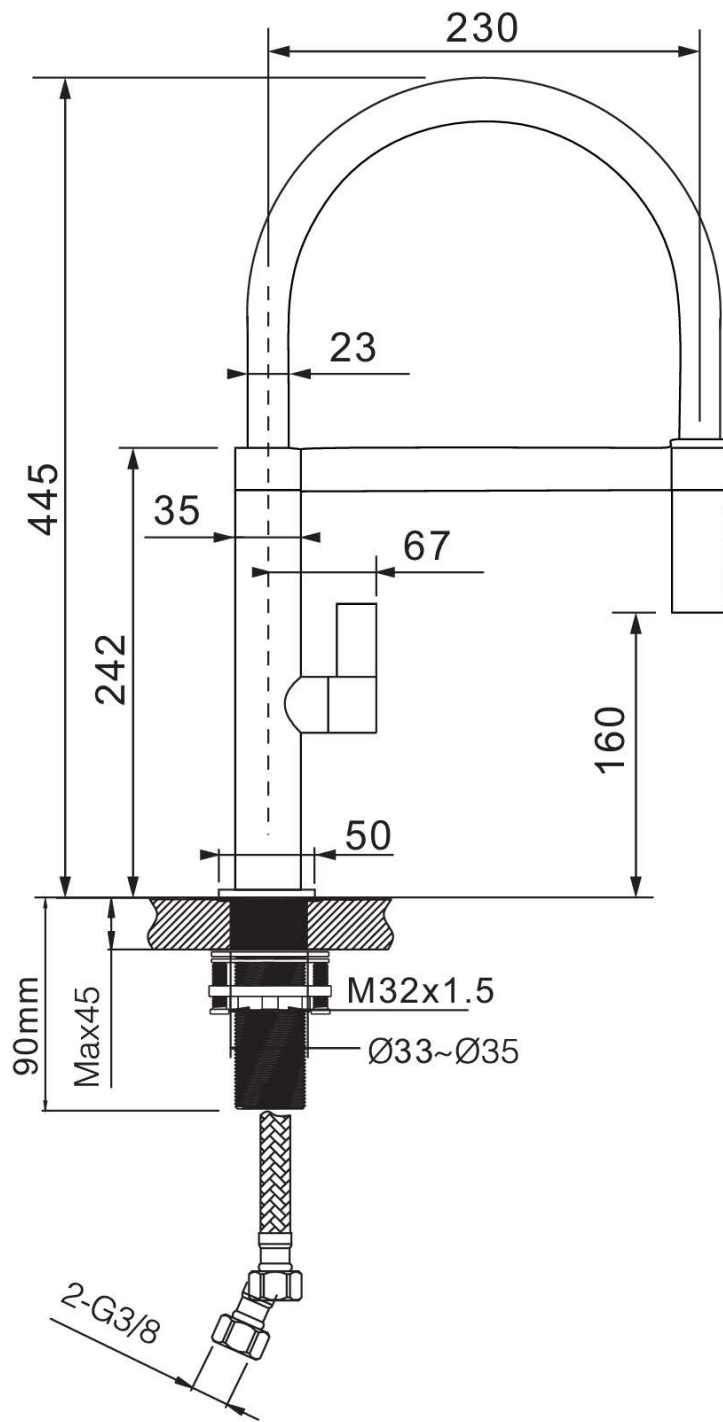
Useage function instruction



Open
23°



Hot
90°
Cold



Product sizes (cm)	60*31.5*7.5
Weight (kg)	1.55
Guarantee	5 years
Max Preassure (bar)	5
Min Preassure (bar)	0.5
Optimum preassure (bar)	1-4 (Recommended 3)
Max. temperature	85°C
Min temperature	65°C

FLOW RATE

Detalles	
FLOW RATE REF	GCE011/GCE012/GCE014
mixer water 0.1Mpa(L/MIN)	4.78
mixer water 0.3Mpa(L/MIN)	8.53
mixer water 0.5Mpa(L/MIN)	11
singer cold water 0.1Mpa(L/MIN)	4.09
singer cold water 0.3Mpa(L/MIN)	7.25
singer cold water 0.5Mpa(L/MIN)	9.4